

For more information contact :
SparksFilters 585-624-4500
585-624-5300 fax
E-Mail: Sales@sparksfilters.com

Air/Gas Filters - Vacuum

Series P20- Enameled Carbon Steel ◊ Series P22- 304 Stainless

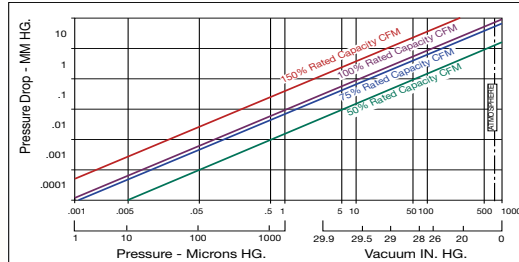
- **Low Pressure Drop**
- **Maximum Useful Filter Area and Dirt Holding Capacity**
- **Hinged Swing Bolt Closure, Easy Access, O Ring Seal**
- **304SS Throat Safety Cages, ΔP Taps Std.**
- **Rugged Enameled Steel Construction** Series P20 air and gas pipe line vacuum filters offer exceptional protection similar to our pressure vessels. They are fabricated from rugged enameled carbon steel. Any model can be modified at your request to more exactly fit your needs.
- **Standard Connection Sizes from 1" to 12"**
 NPT or raised face flanges (RF) in-line connections are std. Alternative orientations and sizes are available upon request. A hinged swing bolt closure is standard.
- **Recoverable Sewn or Rubber End Filter Elements.**
 Classic radial fin textile media elements are unsurpassed for low ΔP, dirt holding capacity and efficiency. They stop particulates before they can move downstream. Select either recoverable 10μ Sewn End Filter Elements or 10μ long life low cost polyurethane rubber molded end elements, as your needs dictate to remove 98% of all airborne dust and dirt. **Unlike PVC or Plastics, these polyurethane rubber ends have no phthalate elastomers to evaporate away in vacuum service.** Our synthetic rubber is cross linked to further limit outgassing*. Dozens of alternative filter media are available for services having finer micron retentions, elevated temperatures and/or aggressive chemistry, see page 30. *If trace molecular contamination is of concern in your vacuum service, contact us for specifics.
- **Options:** Models P20-0087-RF-040 and larger include CS leg supports (add 18" to OH). Carbon steel support legs in any length, gauges and special finishes. Call for information on vessels having other pressure services, 304SS, or other materials of construction. [See http://www.sparksfilters.com for more options.](http://www.sparksfilters.com)



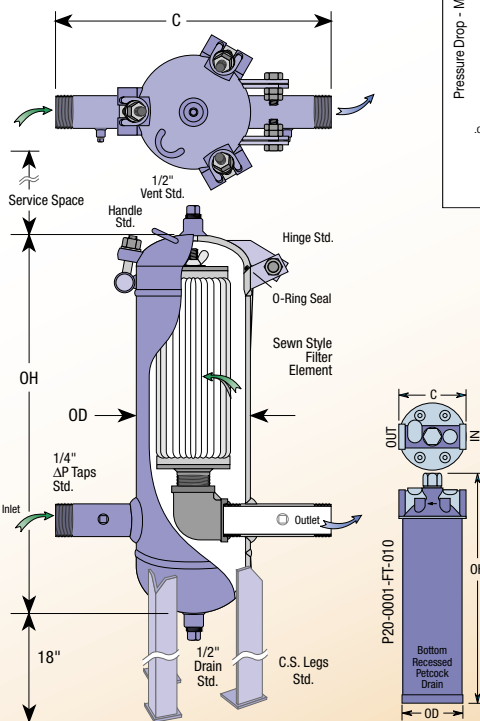
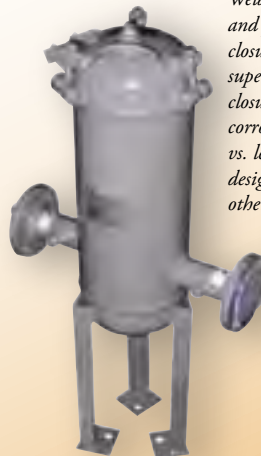
New solid urethane rubber end seals enable selecting either sewn end or rubber molded end style replacement filter elements.

Housing Model No. (for 304SS, chg P20 to P22)	100% Pump Disclpl. CFM	Conn. Size	Conn Type	Cover Style	Approx. Dimens, in.				Wgt. Lbs.	Select Filter Element	
					OD	OH	C	Serv. Space		Sewn End 10μ	New Rubber End 10μ
*P20-0001-FT-010	26	1"	FPT	T-Top	3½	14¼	4	12	7	320-0443K5	321-2789K5
P20-0084-MT-015	100	1.5"	MPT	Swg Blt	6¾	28	16	16	80	320-0525K5	321-3235K5
P20-0085-MT-020	160	2"	MPT	Swg Blt	8¾	30	16	16	100	320-0526K5	321-3236K5
P20-0086-MT-030	260	3"	MPT	Swg Blt	8¾	39	20	24	175	320-0527K5	321-3237K5
P20-0087-RF-040	450	4"	Flg	Swg Blt	10¾	43	20	24	225	320-0528K5	321-3238K5
P20-0088-RF-060	850	6"	Flg	Swg Blt	12¾	52	24	26	300	320-0529K5	321-3239K5
P20-0089-RF-080	1800	8"	Flg	Swg Blt	16	67	28	36	500	320-0530K5	321-3240K5
P20-0090-RF-100	2800	10"	Flg	Swg Blt	20	74	32	36	850	320-0531K5	321-3241K5
P20-0091-RF-120	4000	12"	Flg	Swg Blt	24	82	36	39	1100	320-0532K5	321-3242K5

*ΔP Taps Not Available.



Welded steel wall and pre-fabricated closures yield for superior strength, closure seal, and corrosion allowance vs. lesser drawn shell designs offered by others.



Vacuum Conversion Table				
Conversion of pressures between 760 and 0 torr				
Vacuum Range	torr (mm Hg @ 32°F)	psia	Inches Hg @ 32°F	% Vacuum
Low	760	14.7	29.9	0
	750	14.5	29.5	1.3
	735	14.2	28.9	1.9
	700	13.5	27.8	7.9
	600	11.6	23.6	21
	500	9.7	19.7	34
	400	7.7	15.7	47
	380	7.3	15	50
	300	5.8	11.8	61
	200	3.9	7.85	74
Intermediate	150	2.9	5.91	80
	100	1.93	3.94	87
	90	1.74	3.54	88
	80	1.55	3.15	89.5
	70	1.35	2.76	90.8
	60	1.16	2.36	92.1
	51	1	2.03	93
	50	0.97	1.97	93.5
	40	0.77	1.57	94.8
	30	0.58	1.18	96.1
High *	25.4	0.49	1	96.6
	20	0.39	0.785	97.4
	10	0.193	0.394	98.7
	7.6	0.147	0.299	99
	1	0.019	0.039	99.9
	0.75	0.015	0.03	99.9
	0	0	0	100

* Recommend optional 32 RMS machined flange surfaces.

Filter Vessel Options & Features



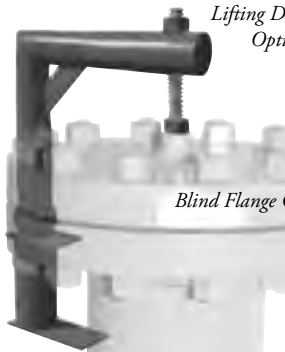
Hinges w/lift ring std. above 35 lbs.



O-Ring Closure (Hinge std.)
Buna-N Gasket Std., Viton,
Teflon coated, EPDM gaskets
available.



Lifting Davits
Optional



Blind Flange Closure

A Superior Finish! We use a high gloss enamel that has exceptional resistance to fungus, salt air, and alkalis. It is twice as costly as lesser paints. Some competitors use paints that are designed instead to hide welding and other fabrication defects. Our standard grey finish is used on all sheet metal filter housings. Pressure vessels have a special "clean white" interior finish. If you have special requirements for finishing, let us know.

Resistance To:
2 % HCL No Effect
2 % NaOH No Effect
5 % Acetic No Effect
Lactic Acid..... No Effect
Mineral Oil..... No Effect
Salt Spray, 200 hrs..... No Effect
Flexibility 180°
Mandrel, 1/4" No Cracking
Fungus Resistance per Fed. Spec.
TTP-18, para. F-3g No Mildew

Optional
Low Profile Lifting Davit.



Removable perforated 304SS Safety Screen sits under (down-stream of) filter element(s) to guard against lost pens, stray coins, and other undesirable items at time of filter element change out.



Our process and pipeline filters can be readily altered from standard design items, with special features and options to suit your requirements. This is a partial list of options. Call us with your special needs, we will be more than helpful.

• Closures, Hinges & Optional Lifting Davits.

We offer an exceptional O-Ring closure design up to 175 psig, and Blind Flange closures operating above 175 psig. Hinges are std. for blind flanges weighing more than 35 lbs., and lifting davits are available as well. Other closure options such as Threaded or Ring Joint Flange are also available. Teflon coated studs and nuts are available.

• Gauge Connections, Support Legs...

Legs are std. on many vessels. Differential pressure gauges, level gauges, and/or switches, adjustable support legs, pipe legs, special NDE (Non Destructive Examination ...like X-ray), mixed metals of construction, ie. stainless steel clean side, and other requests to meet the needs of your specific service environment are available, just ask.

• Superior Wall Thickness of Shells & Heads.

Minimum Schedule Std. Our 10" vessels have 0.365 walls where competitor's lesser drawn shells have only 0.120 to 0.130 walls. This means our vessels have much greater corrosion allowances, much more dependable closure seals, and eliminates shipping damage typical of drawn shell constructions.

• Stainless Steel Safety Cages are standard.

These removable cages have saved many a maintenance person who might have dropped a wrench or pen when changing out a filter element.

• Rust Inhibiting White Interior Enamel Standard!

Superior to clear coats. Everyone loves it! Sandblast and special finishes are available.

• Vessels Through 16" Diameter in a Hurry!

Our rapid 2 to 4 week delivery is legend!

• Detailed Approval Drawings are Fast!

Normally in a week, 2 weeks max. for complex requirements. (Yes, We do the tuff stuff! Try us.) We are very flexible on special orders and design modifications. Our non-code vessels are made from the same materials, quality and welding as our code vessels.

• ASME Code Stamp

Our companion organization, Rush Certified, Inc., is fully certified to provide the ASME Boiler & Pressure Vessel Code "U" Stamp as required by most states for unfired pressure vessels exceeding 15 psig. Each vessel is registered with the National Board of Boiler Pressure Vessel Inspectors. Our code stamp allows design service to 3000 psig.

Most jurisdictions (see table) require certain vessels to comply with the ASME Code. It is the responsibility of the end user to verify the requirements within their jurisdiction, and to advise if vessels are to contain lethal substances, i.e. poisonous gases or liquids of such nature that very small amounts could be dangerous to life (mixed or unmixed with air). ASME Code Section VIII Div. 1 covers pressure vessels for containment of internal or external pressure (vacuum). You should consider need for ASME Cert. when:

(A) Vessels have an internal or external operating pressure of greater than 15 psi max. (no size limitation) or

(B) Vessels have an inside diameter of greater than 6 inches, without limitation on length or pressure.

* Only portions of code.

Tabulation of the Boiler & Pressure Vessel Laws of the US & Canada Jurisdiction VIII(1)

AL.....Y	MO.....Y	WV.....N
AK.....N	MT.....N	WI.....Y
AZ.....N	NB.....Y	WY.....Y
AR.....Y	NV.....Y	Alb.....Y
CA.....Y	NH.....Y	B.C.....Y
CO.....Y	NJ.....Y	Man.....Y
CT.....N	NM.....N	N.B.....Y
DE.....Y	NY.....Y	N.F.&L.....Y
FL.....N	NC.....Y	NW.T.....Y
GA.....Y	ND.....Y	N.S.....Y
HI.....Y	OH.....Y	Ont.....Y
ID.....Y	OK.....Y	PE Is.....Y
IL.....Y	OR.....Y	Que.....Y
IN.....Y	PA.....Y	Sas.....Y
IA.....Y	PR.....Y	Y.Ter.....Y
KS.....Y	RI.....Y	Albuquerque... N
KY.....Y	SC.....N	Des Moines... N
LA.....N	SD.....N	Miami.....Y
ME.....Y	TN.....Y	New Orleans...Y
MD.....Y	TX.....N	Tucson.....Y
MA.....Y	UT.....Y	Univsty Cty...Y
MI.....Y*	VT.....Y	Dade Co.....Y
MN.....Y	VA.....Y	Jeff Parish...Y
MS.....Y	WA.....Y	St Louis Co...Y
		Dist.of Clmb...Y

Tape your card here, or...

Your Name _____

Company _____

Address _____

City, State, Zip _____

Phone _____ Fax _____

email _____

Quotation Worksheet - Filter Vessels

Print, Fill Out, & FAX Back

Form is also at www.sparksfilters.com **Request A Quote** then,

[If you would like to request a vessel quote click here](#)



For more information contact :
SparkFilters 585-624-4500
585-624-5300 fax

E-Mail: Sales@sparksfilters.com

- The service space requirements are shown on the sales drawing for your project. Ample space should also be allowed for easy access, disassembly, and inspection of the filter and its components.

- The filter should be mounted in a upright vertical position with the legs on a level foundation. To prevent movement the legs may be bolted or lagged. Small or special design filters may be mounted or supported by other means with the consent of the factory.

- Special care should be taken in the design and installation of the piping to the filter. The piping system should be sufficiently sized to minimize ΔP. Most piping systems are sloped to accessible drain points.

- Instrumentation of some type is common for most filter systems in the form of gauges, sensors and/or switches. The use of instruments can save time and money reducing visual inspections. Typical change out is between 5 & 10 PSI differential.

- All systems should be carefully pressure tested, inspected, and cleaned before being placed in service. Many process systems require special purging or pickling, and may require filter changes or special start-up cartridges for this procedure.

ASME U Stamp: Yes / No _____

Gas Type: _____ Air _____ Nat Gas _____ other _____

Gas Spec. Grav.: _____ (if other than air)

Flow:

Normal Flow: _____ SCF/ _____ (Min., Hr., Day)

Maximum Flow: _____ SCF/ _____ (Min., Hr., Day)

Connections:

Inlet Size _____ Inch

Inlet Type _____ (MPT, Flange & Type, etc)

Outlet Size _____ Inch

Outlet Type _____ (MPT, Flange & Type, etc)

Outlet elevation _____ inches above inlet C.L.

_____ (std. is same C.L.)

Inlet Location _____ (std is @ 90°)

Outlet Location _____ (std is @ 270°)

Materials of Construction:

Carbon Steel _____ (Yes / No)

304L _____ (Yes / No)

316L _____ (Yes / No)

other: _____

Pressure:

Design Pres _____ PSIG

Operating Pres. _____ PSIG

Flange Rating _____ ANSI

Temperature:

Design Temp. _____ ° F

Operating Temp. _____ ° F

Other Ports:

Vent Size, inch _____ Type: _____

Drain Size, inch _____ Type: _____

ΔP Taps Size, inch. _____ Type: _____

Cover Options:

w/Hinge & Lug _____ (Yes / No)

w/HeadLift Davit. (Yes / No)

Legs: (std is 3 @ 90°, 210°, 330°) _____ (3 or 4)

Tank Gasket:

Std _____ (Yes / No)

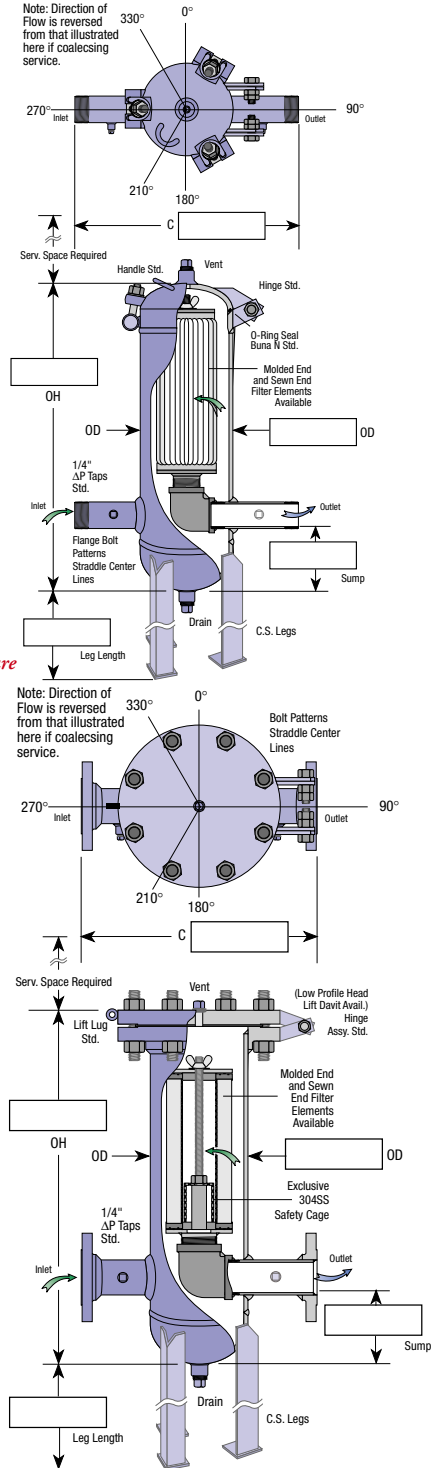
other _____

Filter Element:

Cat. No. _____

Reten. Needed _____ μ (micron)

Details & Special Requirements: _____



Select either Hinged Swing Bolt Closure Shown Above, or Hinged Flange Closure shown below.